

Unica Mini PP Stool

Product Code: **UNST275P**

Lead Time Guide: 2 - 4 weeks

OVERVIEW

A beautiful family of chairs with almost endless options!

The Unica family of seating answers the call for multi-use applications offering a comprehensive and configurable suite of chairs with a consistent design theme.

Advanta worked with well-respected designer Frank Mause of Hallenberg Germany to create the Unica family in 2016.

Unica continues to evolve into an ever larger family including swivel, sled, 4 leg chairs, stools and beam seating with a complementary table also available.

Unica is available with a super comfortable polypropylene shell or alternatively upholstered in your choice of fabric or leather. Die-cast aluminium, steel and timber bases are available in powder-coated, polished and stained finishes.

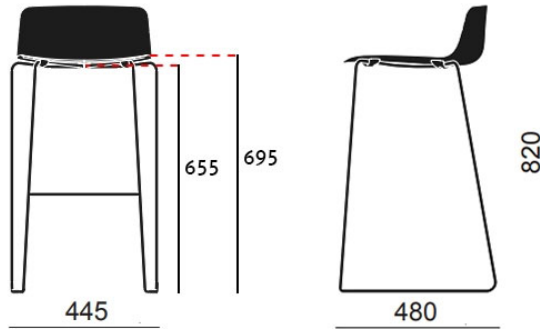
Unica is loved by the design community for its beautiful well resolved design and unlimited selection of trending finishes.



SPECIFICATIONS

110kg Recommended Weight Capacity

Chair Dimensions (mm)



Footrest to Seat: 420mm

Product Weight = 6.5 kgs ~

FEATURES

- Polypropylene Shell
- Sled Base
- Glides
- Stackable 6 High
- One-Piece Shell
- AFRDI Certified to Level 6
- 110kg Recommended Weight Capacity
- 10 Year Warranty



RELATED PRODUCTS



Unica Sled PP



Unica Sled Upholstered



Unica 3 Seat Beam - Upholstered
(Discontinued)



Unica Swivel PP

Colour Disclaimer Actual product colour may vary from the images shown. Advanta cannot guarantee that the colour you see accurately portrays the true color of the product.



OPTIONS 1 / SEAT HEIGHT



655mm Seat Height



755mm Seat Height

OPTIONS 3 / FRAME FINISH



Black Powdercoat



SPECIFY YOUR COLOUR IN NOTES

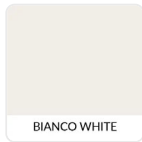
Other Powdercoat Colour (special order)

OPTIONS 2 / SEAT COLOUR



NERO BLACK

Black



BIANCO WHITE

White



ROSSO RED

Red



VERDE FORESTA

Forest Green



GRIGIO GREY

Grey



CELESTE PALE BLUE

Pale Blue



SABBIA SAND

Sand