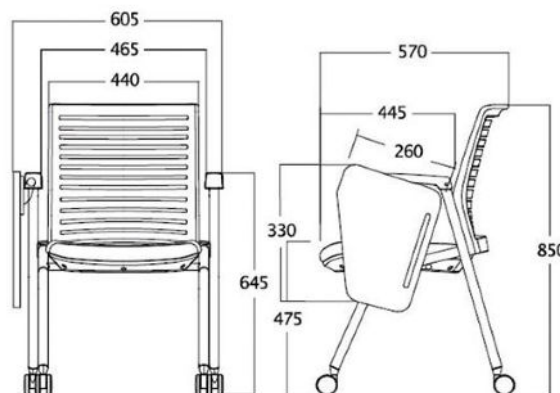


AGILE LINEAR TRAINING CHAIR
ASC-LIN-GR



DESCRIPTION

- ▶ Plastic back, seat with fabric
- ▶ Foldable tablet arm
- ▶ Foldable Seat
- ▶ Foldable arm rest
- ▶ Steel tube leg with PU castor
- ▶ Glides available to replace castor
- ▶ All components meet min of BIFMA standard
- ▶ Carton size (inch) 21.5 x 15 x 23 (2 pcs per ctn)
- ▶ Available in all black or coloured on a made to order basis

DETAILS

Cleaning & Maintenance:

Damp Cloth, Mild Detergents

Warranty:

5 Years under Normal Wear & Tear

Certifications:

All components meet min of BIFMA standard



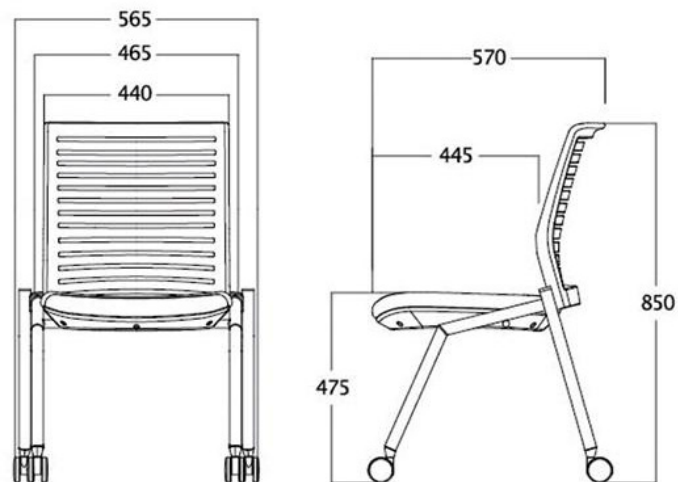
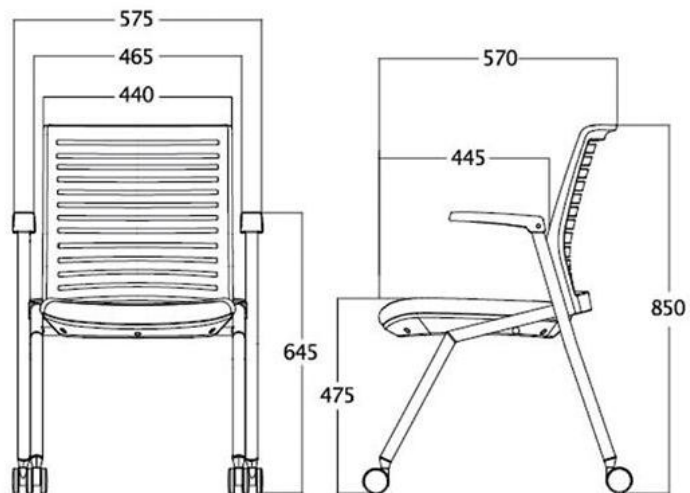
Available Colours:

Black & white or available in all black on a made to order basis, available in colours on a made to order basis

Options:

- Foldable arm rest
- Foldable tablet arm

AGILE LINEAR TRAINING CHAIR ASC-LIN-GR



DESCRIPTION

- ▶ Plastic back, seat with fabric
- ▶ Foldable Seat
- ▶ Foldable arm rest
- ▶ Steel tube leg with PU castor
- ▶ Glides available to replace kit castors
- ▶ All components meet min of BIFMA standard
- ▶ Carton size (inch) 23.5 x 22.5 x 26 (2 pcs per ctn)
- ▶ Available in all black or coloured on a made to order basis

DETAILS

Cleaning & Maintenance:

Damp Cloth, Mild Detergents

Warranty:

5 Years under Normal Wear & Tear

Certifications:

All components meet min of BIFMA standard

Available Colours:

Black & white, available in all black on a made to order basis, available in colours on a made to order basis

Options:

Foldable arm rest
Foldable tablet arm

